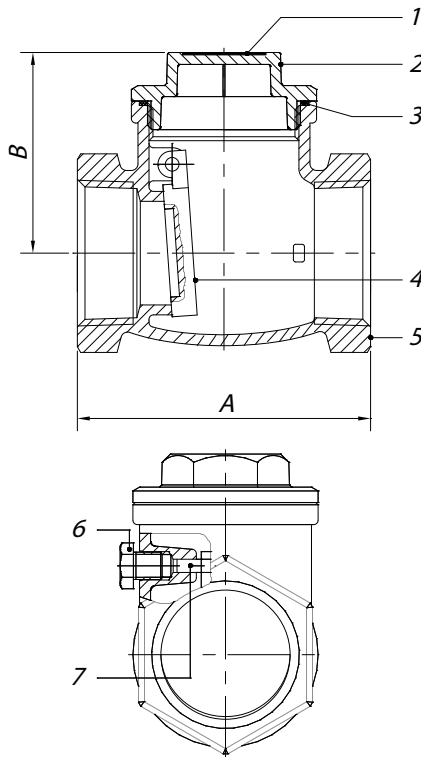


BRASS SWING CHECK VALVE, THREADED



- 200 lb. CWP, 125 lb. WSP
- Cast brass body
- Forged brass disc
- Certified to NSF/ANSI 61-8
- ISO 9001:2008 manufacturer



No.	Part	Material
1	Name Plate	Aluminium
2	Cap	Brass C85710
3	Packing	Fibre "H"
4	Disc	Brass C85710
5	Body	Brass C85710
6	Bolt	Brass C36000
7	Pin	Brass C37700

USA 800-766-0076

Fax 323-890-4456

www.smithcooper.com

Los Angeles, CA

Chicago, IL

Atlanta, GA

Vancouver, WA

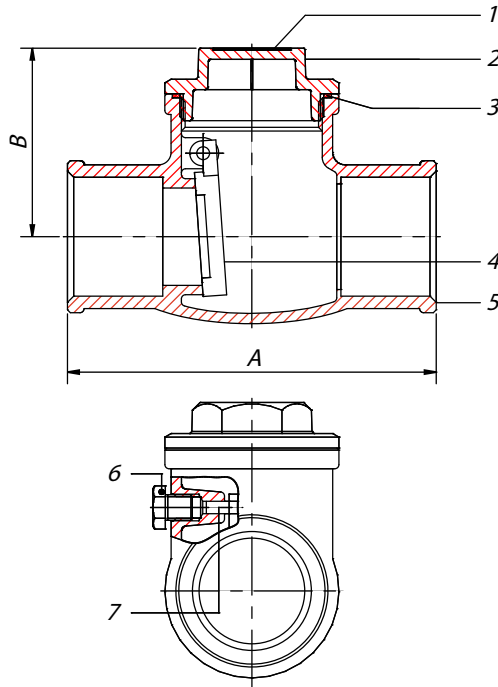
Houston, TX

Size IN	Part Number	Weight LB	A IN	B IN
3/8	01739191E	0.4	2.08	1.42
1/2	01739191G	0.4	2.08	1.42
3/4	01739191I	0.5	2.36	1.55
1	01739191K	0.7	2.62	1.77
1-1/4	01739191L	1.3	3.19	2.06
1-1/2	01739191M	1.6	3.54	2.16
2	01739191N	2.6	4.21	2.74
2-1/2	01739191P	4.5	5.14	3.10
3	01739191Q	6.6	5.77	3.80
4	01739191T	11.4	6.84	4.25

BRASS SWING CHECK VALVE, SWEAT



- 200 lb. CWP, 125 lb. WSP
- Cast brass body
- Forged brass disc
- Certified to NSF/ANSI 61-8
- ISO 9001:2008 manufacturer



No.	Part	Material
1	Name Plate	Aluminium
2	Cap	Brass C85710
3	Packing	Fibre "H"
4	Disc	Brass C85710
5	Body	Brass C85710
6	Bolt	Brass C36000
7	Pin	Brass C37700

Size IN	Part Number	Weight LB	A IN	B IN
1/2	01739192G	0.4	2.40	1.40
3/4	01739192I	0.5	3.15	1.50
1	01739192K	0.7	3.50	1.73
1-1/4	01739192L	1.3	4.15	2.07
1-1/2	01739192M	1.6	4.60	2.12
2	01739192N	2.6	5.47	2.67
2-1/2	01739192P	4.5	6.89	3.10

USA 800-766-0076

Fax 323-890-4456

www.smithcooper.com

Los Angeles, CA

Chicago, IL

Atlanta, GA

Vancouver, WA

Houston, TX